

# HP-15

HORN LOUDSPEAKER 15W, WATERPROOF



when communication is **critical**

## FEATURES

- Horn Loudspeaker for accommodation use.
- Excellent for P.A. / Intercom and background music
- Available in 8 and 20 ohm and w/transformer for 100V amplifier line

## INSTALLATION, OPERATION AND MAINTENANCE PROCEDURES

- Fasten loudspeaker to wall/ceiling with two screws through foot bracket.
- Remove lid by 1 screw, lead cable through cable gland, select required tapping and connect to terminal
- To change the position of the loudspeaker please adjust the bracket (by loosening / tightening the screws) as required.
- For optimum performance, always use the correct voltage / power and operate within the frequency limits as stated.
- Do not open loudspeaker when energized.

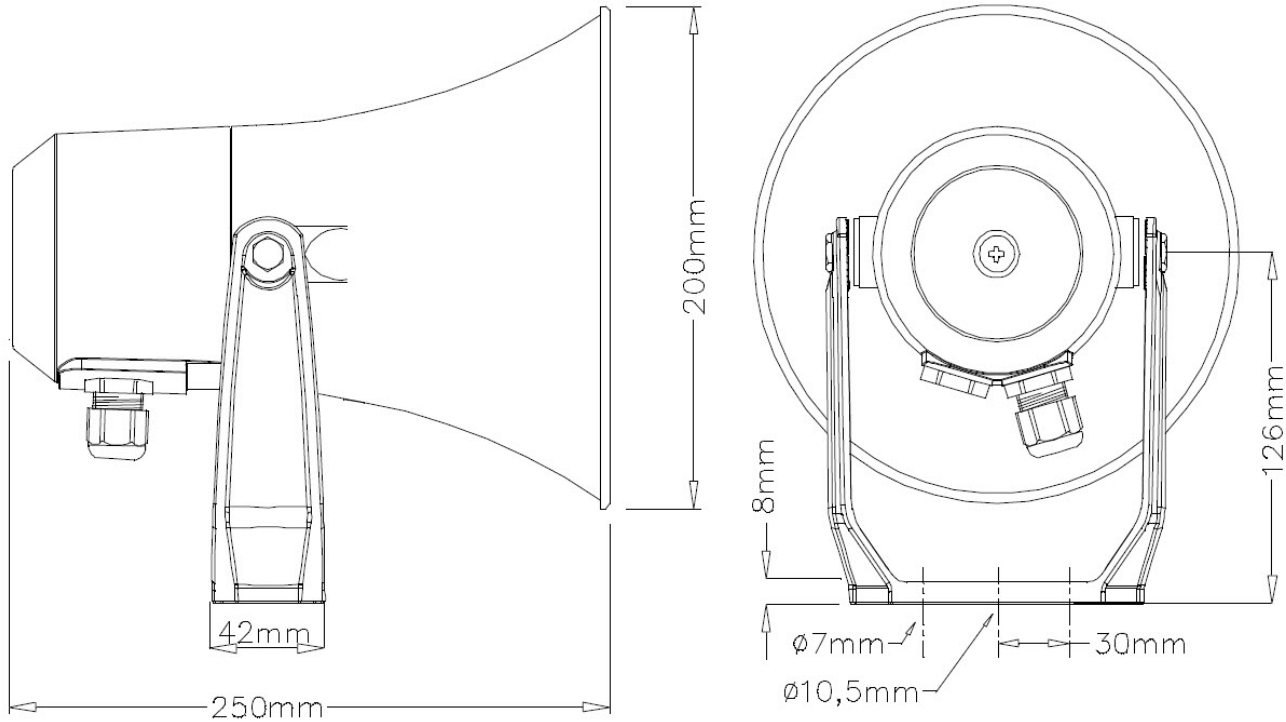


## SPECIFICATIONS

Material / Colour	ASA / RAL 7035
Dimensions	Ø 200 x 250D
Mounting	Bracket
Termination	Inside screw connections
Weight 8 and 20 ohm	1,2 kg
Weight w /transformer, 100V version	1,7 kg
IP- rating	67
Max. / min. amb. temp	90°C / -50°C
Rated / Max power	15W / 20W
SPL 1W / 1 m	108 dB
SPL rated power	118 dB
Effective freq. range	330-8000 Hz
Dispersion (-6dB) 1kHz / 4kHz	130° / 35°
Directivity factor, Q	8,3

ORDER NUMBER	DESCRIPTION	SHIP WEIGHT
3006100051	HP-15 Horn Loudspeaker 8 ohm 15W	1.2 kg
3006100052	HP-15/20 Horn Loudspeaker 20 ohm 15W	1.2 kg
3006100053	HP-15 /20TF Horn Loudspeaker 20 ohm 15W, with fuse	1.2 kg
3006100054	HP-15/T Horn Loudspeaker 100V 15W	1.7 kg
3006100056	HP-15/TF Horn Loudspeaker 100V 15W, with fuse	1.7 kg

## HP-15 HORN LOUDSPEAKER 15W, WATERPROOF



Transformer 100V  
Nominal tapings:  
C : 4                    15,0 W  
C : 3                    7,5 W  
C : 2                    4,0 W  
C : 1                    2,0 W

