

1008111010

## TCIS-1

IP and SIP Intercom



 **UL Certified Intercom**

**NEC** **NEC CERTIFIED**

 **Alcatel-Lucent Certified**

 **CISCO Certified**

 **Avaya Certified**

 **Turbine**

 **Door Intercom**

 **IP66**

 **Automatic Volume**

 **HD Voice**

 **Automatic Gain Control**

 **Active Noise Cancelling**

 **Voice Activity Detection**

## DESCRIPTION

- Industrial IP intercom
- Audio Presence - crystal clear audio
- Amazing sound pressure levels when needed with automatic volume adjustment
- Background noise cancellation
- Dirt, dust and water resistant - rating IP-66
- Built to last with robust die-cast aluminum frame - rating IK 08
- Supports wide set of IP and networking standards
- Yellow thermoplastic front plate with one button plus M and C
- Ideal for Industrial Applications

All IP Intercom stations in the Vingtor-Stentofon Turbine series utilize the latest technology to create unparalleled audio quality. Some of the many features include: HD voice quality, Open Duplex, Active Noise Cancellation, MEMS microphone, a 10W Class D amplifier and our unique speaker grille design. These features, in conjunction with Vingtor-Stentofon's 65+ years of experience with acoustic technology are only a few of the many factors that contribute to our superior audio quality.

## SPECIFICATIONS

### AUDIO

|   |   |
|---|---|
| Audio quality - percentage articulation loss of consonants (Alcons) - at 70 dB                | < 5%*   |
| Audio quality - total harmonic distortion + noise, without noise reduction (THD+N) - at 70 dB | < 2%*   |
| SPL rated power at 1m in open duplex  | 95 dB*  |
| SPL rated power at 1m in half duplex  | 105 dB*   |
| SPL rated power at 1m in program distribution and announcement                                | 105 dB*   |
| Noise cancelling - suppression of musical noise   | YES   |
| Noise cancelling - suppression of static noise  | YES   |
| Noise cancelling - suppression of rapidly changing noise                                      | YES   |
| Codecs  | G.711, G.722  |
| Frequency range, G.722 Codec  | 200 Hz – 7000 Hz  |
| Audio technology  | Modes: Full open duplex, switched open duplex           |
|   | Adaptive jitter filter                                  |
|   | Custom Ringing Tone                                     |
|   | Audio Mixing – Conversation and Group Call              |
|   | Sound Level Detection / scream alarm (only in AlphaCom) |
|   | Automatic gain control (microphone)                     |
| Internal speaker amplifier  | 10 W class D  |
| Microphone technology   | Digital MEMS, omnidirectional microphone                |
| *Tested with Audio Precision SYS 2722 equipment   |   |

### HARDWARE

|                               |   |
|-------------------------------|---|
| Ethernet connector            | 1 x RJ 45   |
| All other connectors          | Tool less, spring loaded, vibration proof terminals |
| General inputs and outputs    | 6 (configurable                                     |
| Outputs                       | 12mA as LED drivers                                 |
| Change-over relay (NO+NC+COM) | Max: 250VAC/220VDC, 2A, 60W                         |
| Power options                 | PoE and or external power supply                    |
| PoE (power over Ethernet)     | IEEE 802.3af standard, Class 0 (0.44W to 12.95 W)   |
| External power supply         | 24 VDC (16 – 48 V)                                  |

**HARDWARE**

|  |  |
|--|--|
| Power consumption                      | Idle 1.8W, max 12W (depending on volume) |
| Audio line out / Induction loop signal | 600 Ohm                                  |
| Button backlight                       | LED                                      |
| Call indication                        | Icons/colors for hearing impaired        |

**CONSTRUCTION**

|   |  |
|---|--|
| Dimensions (HxWxD)                                  | 180 x 120 x 70 mm / 7.1" x 4.7" x 2.8"                               |
| Dimensions after flush mount                        | 180 x 120 x 20 mm / 7.1" x 4.7" x 0.8"                               |
| Dimensions with on wall box                         | 180 x 120 x 82 mm / 7.1" x 4.7" x 3.3"                               |
| Weight  | 0.8 kg / 1.8 lbs   |
| Faceplate material                                  | 3 mm / 0.12" PMMA, colour printed on back side                       |
| Base / frame material                               | 3 mm / 0.12" Aluminum alloy - A413.0, AlSi12Se, anodized and painted |
| Electronics cover material                          | Polycarbonate (translucent)  |
| Gasket material                                     | Silicone rubber  |
| Fastening bracket material                          | SECC Steel   |
| Button material                                     | 3 mm / 0.12" Polycarbonate (transparent)                             |
| Button travel length                                | 1.25 mm  |
| Button activation force                             | 350 gf   |
| Button push-cycles before failure                   | 300 000  |
| Vandal resistant fasteners                          | Stainless steel, security TORX (with pin), T25                       |
| Loudspeaker poke protection, large diameter object  | 3D cast aluminum speaker grille                                      |
| Loudspeaker poke protection, small diameter objects | Stainless steel mesh, acoustically transparent                       |

**NETWORKING AND PROTOCOLS**

|                                |   |
|--------------------------------|---|
| Protocols                      | IPv4 (with DiffServ), SIP, TCP, UDP, HTTPS, TFTP, RTP, DHCP, SNMP, Vingtor-Stentofon CCoIP® , NTP                                     |
| LAN protocols                  | Power over Ethernet (IEEE 802.3 a-f) Network Access Control (IEEE 802.1x)   |
| Management and operation       | HTTP/HTTPS (Web configuration) DHCP and static IP + Vingtor-Stentofon Pulse™ Remote automatic software upgrade Centralized monitoring |
| Advanced supervision functions | E.g network test, tone test, status reports (only in AlphaCom)  |
| SIP Support                    | RFC 3261 (SIP base standard) RFC 3515 (SIP refer) RFC 2976 (SIP info)   |
| DTMF Support                   | RFC 2833, 2976 (SIP info)   |

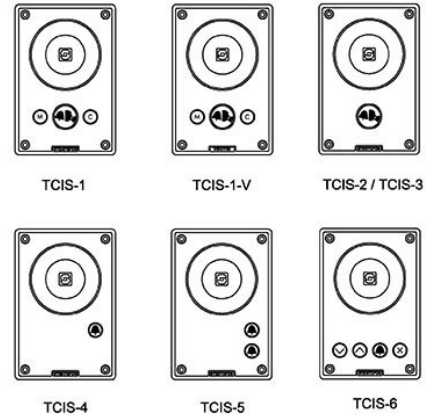
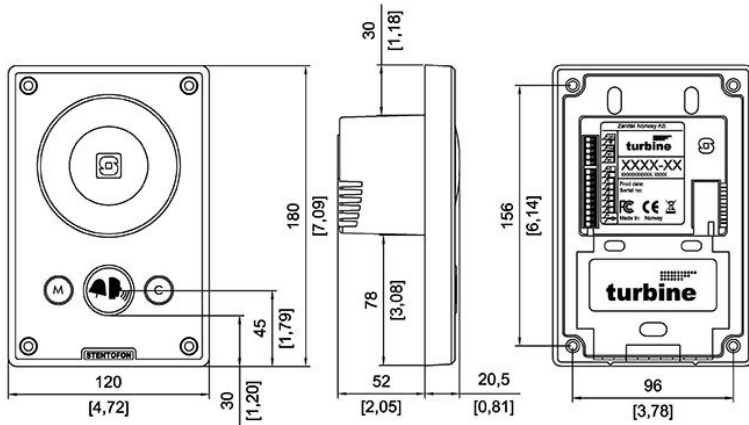
**ENVIRONMENT AND COMPLIANCES**

|                             |  |
|-----------------------------|--|
| IP rating                   | IP-66, tested according to EN 60529  |
| IK rating                   | IK 08, tested according to EN 62262  |
| Operating temperature range | -40° to 70° C  |
| Storage temperature range   | -40° to 70° C  |
| Relative humidity           | < 95% not condensing   |
| Corrosion                   | Salty mist, tested according to EN60945  |
| Vibration                   | Tested according to EN60945  |
| UV-resistant                | YES  |
| EMC                         | CE and FCC Part 15 EN 50121-3-2 Railway application EN 50121-4 Railway application UN Regulation 10, revision 4 + Corr.1 + Amend.1   |
| Compliances                 | IEC/EN 60945 Marine equipment IEC/EN 61000-6 Light and heavy industry IEC/EN 50155 Railway application * IEC/EN 50486 Equipment for use in audio video door-entry systems * With additional conformal coating Requires use of EN 50155 approved PoE switch |
| Certificates                | UL 60950-1, cUL 60950-1, CB to IEC 60950-1   |

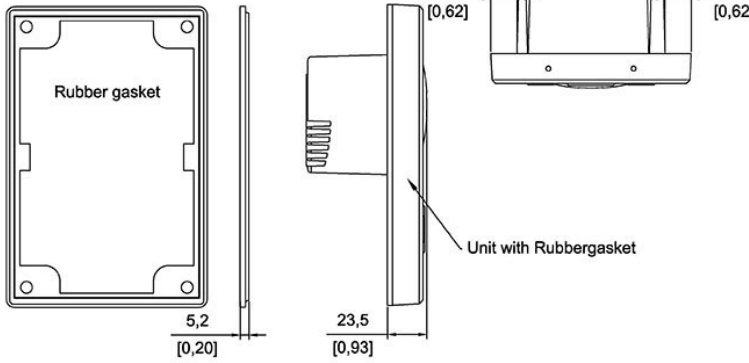
**OTHER SPECIFICATIONS**

|                        |                                     |
|------------------------|-------------------------------------|
| IP address information | Speaks IP address after system boot |
| Button lifetime        | > 1000 000 cycles                   |
| Country of manufacture | Poland                              |

# TECHNICAL DIMENSIONS



Part included in the package



The drawing cover following items:

|            |          |                                       |
|------------|----------|---------------------------------------|
| 1008111010 | TCIS-1   | Turbine Compact IP Standard-1         |
| 1028111010 | TCIS-1-V | Turbine Compact IP Standard-1 VINGTOR |
| 1008111020 | TCIS-2   | Turbine Compact IP Standard-2         |
| 1008111030 | TCIS-3   | Turbine Compact IP Standard-3         |
| 1008111040 | TCIS-4   | Turbine Compact IP Standard-4         |
| 1008111050 | TCIS-5   | Turbine Compact IP Standard-5         |
| 1008111060 | TCIS-6   | Turbine Compact IP Standard-6         |

## ACCESSORIES



TA-1

Item number: 1008140010



TA-2

Item number: 1008140020



TA-5

Item number: 1008140050



Product image not available

TURBINE SUBSTATION ADAPTER PLATE

Item number: 10006292TA